



WP-2241MX-4GE-CE7

4G PAC with GPS, Cortex-A8 CPU, WinCE 7.0, 1 I/O Bus, Metal Case

Features

- Cortex-A8, 1 GHz CPU
- Windows CE 7.0
- 512 MB SDRAM and 256 MB Flash
- 64 KB FRAM memory for data retention
- Hard Real-Time Capability (RTC)
- I/O Expansion Bus
- 10/100/1000M Dual Ethernet Ports
- 4 Serial Ports (RS-232/485)
- Industrial Tri-band 4G module
- 4G modem
- Operating Temperature: -25 to +75 ° C



Introduction

The WP-2241MX-4GE-CE7 is equipped a Cortex-A8 CPU (1GHz) and running a windows CE 7.0 operating system. The optional I/O expansion board, XV-board, provides highprotection I/O. Using the built-in Flash and microSD, the WP-2241MX-4GE-CE7 can save application program, image file and data. The 4G module of WP-2241MX-4GE-CE7 work on frequencies of WCDMA 2100/1900/900/850 MHz, FDD LTE:B1/B3/B5/B7/B8/B20 and GSM 850/900/1800/1900 MHz. These modules utilize the 4G and 3G network for convenient and inexpensive data transfer from remote instruments, meters, computers or control systems in either live data or packet data. These modules has the integrated TCP/IP stack so that even simple controllers with serial communications ports can be connected to the modem without the need for special driver implementation. With the features of theirs, the systems can be SMS and GPRS and 4G or 3G connection applications with our PAC.

Windows CE 7.0



Windows CE 7.0 is a compact and real-time OS used to quickly create time critical and high performance applications. Using Windows CE 7.0 gives an ability to run PC-based control software such as Visual Basic .NET, Virtual C#.

- FTP Server
- Web Server
- SQL Compact Edition 3.5
- .NET Compact Framework 3.5
- Virtual CE Pro (VCEP)

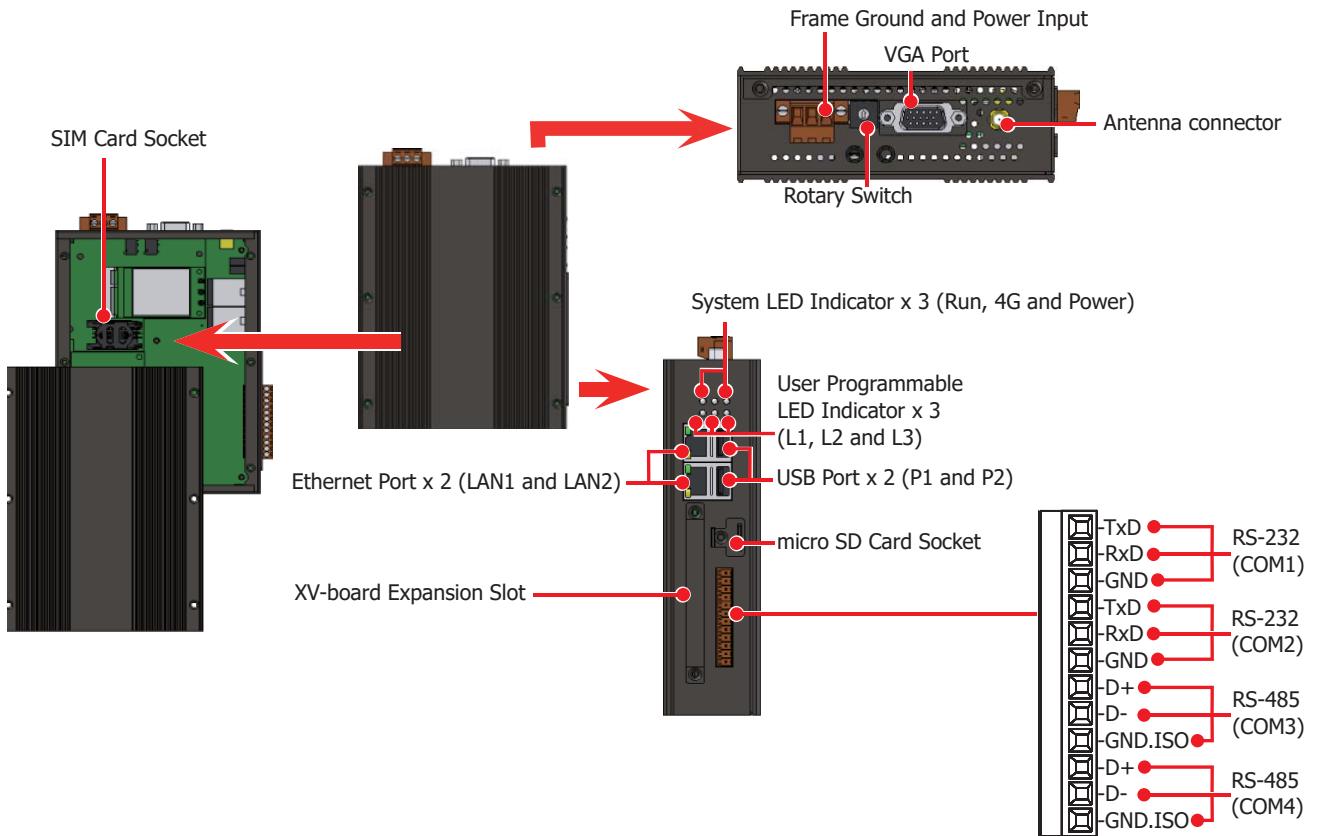
Applications



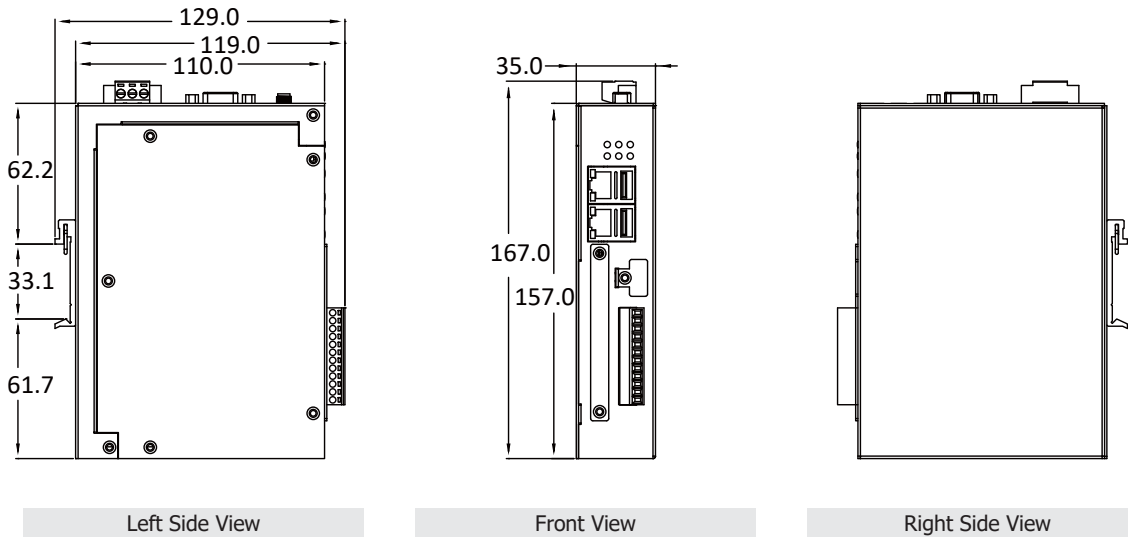
Specifications

Model	WP-2241MX-4GE-CE7
System Software	
OS	Windows CE 7.0 Professional
Framework Support	.Net Compact Framework 3.5
Service	FTP Server, Web Server (Supports VB script, JAVA script), Embedded SQL Server
SDK	Dll for VC, Dll for Visual Studio.Net 2008
Multilanguage Support	English, German, French, Spanish, Russian, Italian, Korean, Simplified Chinese, Traditional Chinese
CPU Module	
CPU	Cortex-A8, 1.0 GHz
SDRAM	512 MB DDR3
Flash	256 MB
FRAM	64 KB
Storage	4 GB microSD card (up to 32 GB)
RTC (Real Time Clock)	Provide seconds, minutes, hours, dates, day of week, month, year
64-bit Hardware Serial Number	Yes, for software copy protection
Watchdog Timer	Dual Watchdog Timer
Rotary Switch	1 x 10 Position (0 ~ 9)
Buzzer	Yes
Display	
VGA Resolution	640 × 480, 800 × 480, 800 × 600, 1024 × 768
LED Indicators	1 x 4G, 1 x Run, 1 x Power and 3 x Programmable
Communication Ports	
Ethernet	2 x RJ-45, 10/100/1000 Base-TX (Auto-negotiating, Auto MDI/MDI-X, LED indicators)
USB 2.0 (host)	2
COM 1	RS-232 (RxD, TxD, and GND); Non-isolated
COM 2	RS-232 (RxD, TxD, and GND); Non-isolated
COM 3	RS-485 (Data+, Data-); Non-isolated
COM 4	RS-485 (Data+, Data-); 2500 VDC isolated
I/O Expansion	
I/O Expansion Bus	One optional XV-board
Mechanical	
Casing	Metal
Dimensions (W x L x H)	35 mm x 167 mm x 119 mm
Ingress Protection Rating	IP30 (Aluminum)
Installation	DIN-Rail, Wall mounting
Environmental	
Operating Temperature	-25 ~ +75 °C
Storage Temperature	-40 ~ +80 °C
Humidity	10 ~ 90 % RH, Non-condensing
Power	
Input Range	+12 ~ 48 VDC
Consumption	4.8 W (0.2 A @ 24 VDC)
GSM	
Frequency Band	GSM: 850/900/1800/1900 MHz
GPRS Connectivity	GPRS class 12/10, GPRS station class B
Data GPRS	Downlink transfer: Max. 85.6 kbps, Uplink transfer: Max 42.8k bps
3G System	
Frequency Band	WCDMA 850/900/2100 MHz
Data Transmission	DC-HSPA+ Download: Max. 42 Mbps, Upload: Max 5.76 Mbps; TD-SCDMA Download: Max. 4.2 Mbps, Upload: Max 2.2 Mbps; CDMA2000 EVDO Download: Max. 14.7 Mbps, Upload: Max 5.4 Mbps
4G System	
Frequency Band	FDD LTE: B1/B3/B5/B7/B8/B20 MHz
Data Transmission	Download Max: 100 Mbps, Upload: Max 50 Mbps
GPS System	
Channels	32
Protocol	NMEA 0183

Appearances



Dimensions (Units: mm)



Ordering Information

WP-2241MX-4GE-CE7 CR	4G PAC with GPS Function, Cortex-A8 CPU, WinCE 7.0, and 1 I/O Bus, Metal Case (RoHS)
-----------------------------	--

Accessories

XV-Board	Add-on I/O Expansion Board
-----------------	----------------------------